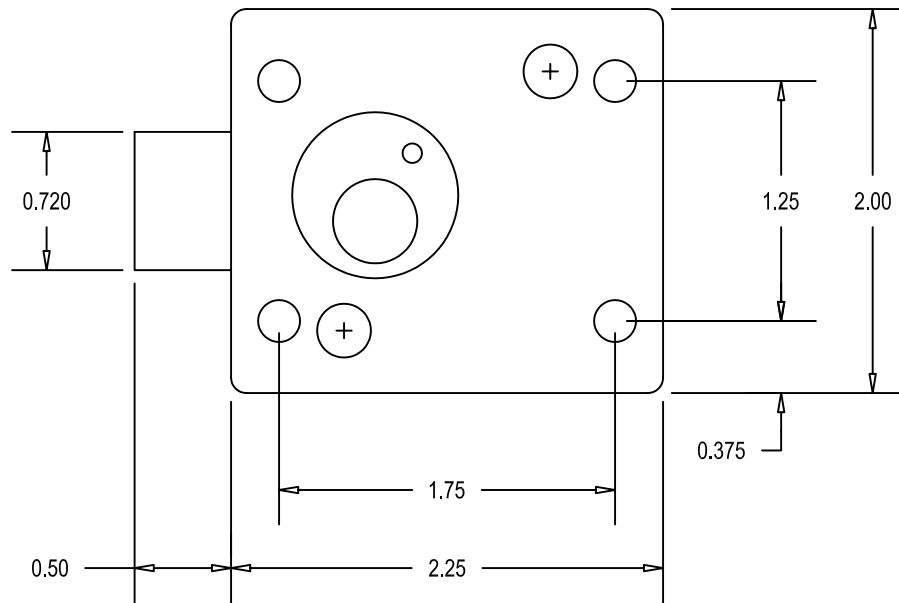
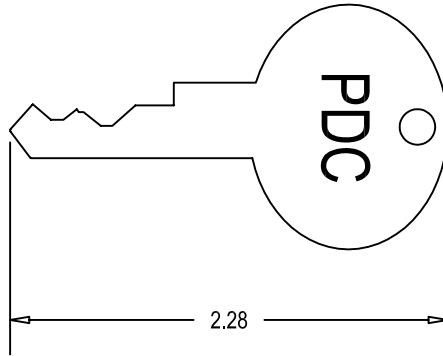


CABINET LOCK TYPE 2

POWER DISTRIBUTION & CONTROL, INC.
1478 2ND STREET
LIVERMORE, CA 94550
PHONE: (925) 455-7710
FAX: 925-455-7714

CABINET LOCK ONLY, TYPE 2.....00584
KEY.....00585



MATERIAL: CAST BRASS